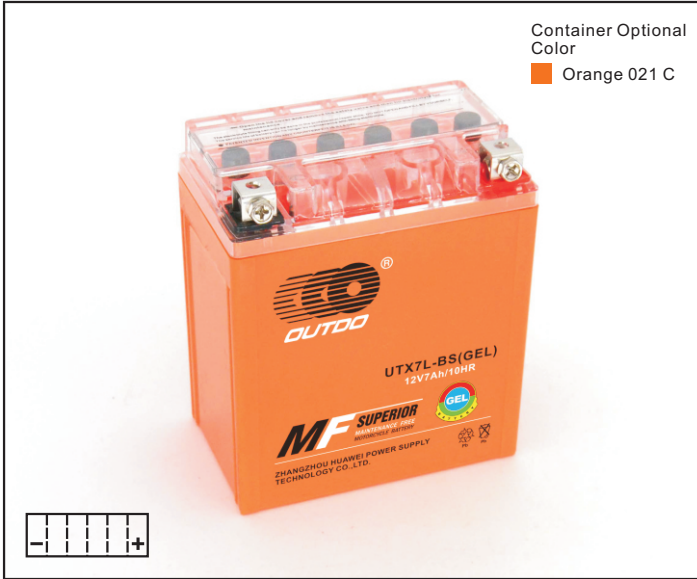


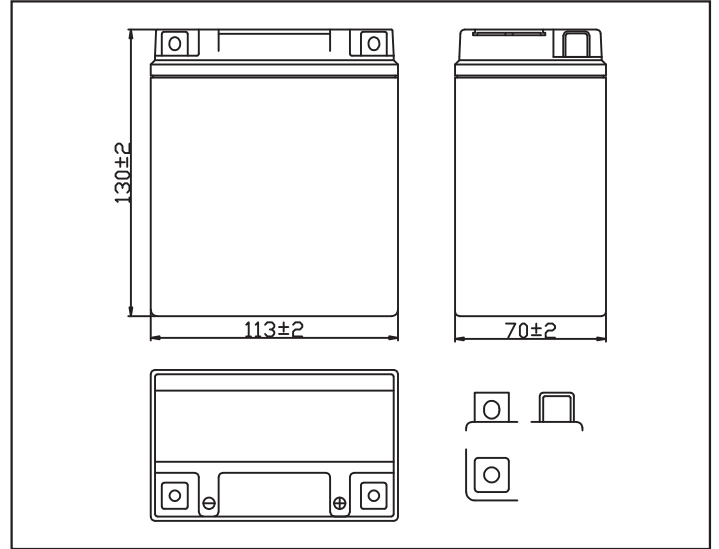
MODEL: UTX7L-BS(GEL)

NO. 301040035-00012



Plane Chart:

Unit:(mm) Terminal type:(C8)



Parts:

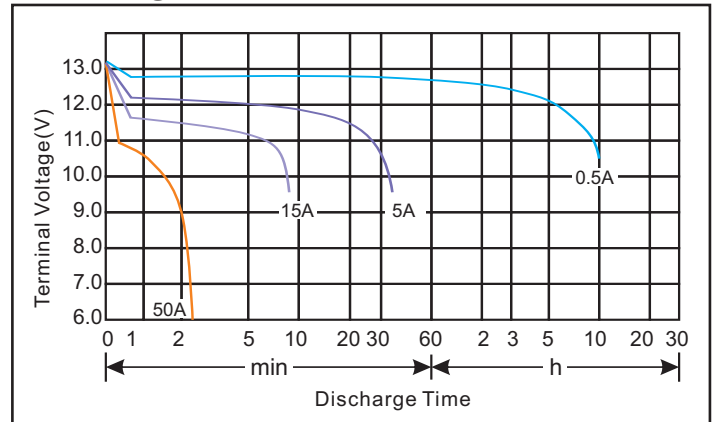
Executed Standard JISD 5302 -2004

Cover	Container Bottom	Terminal	Positive Plate	Negative Plate	Separator	Electrolyte	Gel	Safy Valve	Seal Glue
ABS	ABS	Cu	PbO ₂	Pb	AGM	dilute sulphuric acid	Fumed Silica	Rubber	Epoxy Resin

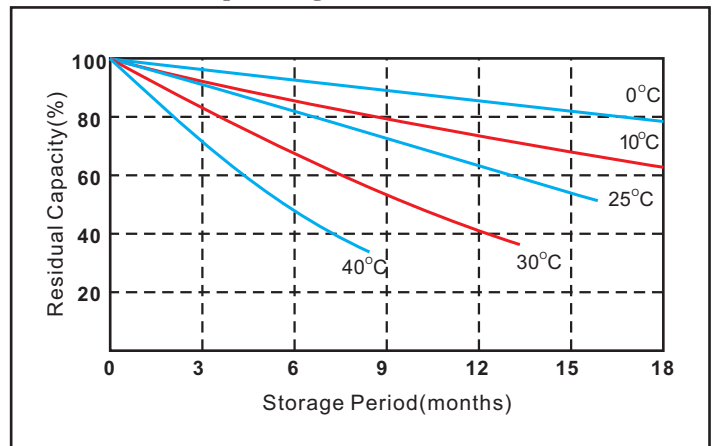
Parameter Chart:

Volts	12V	
Capacity (25°C)	10 hours rate	7Ah
Appx.Dimension (mm)	L±2	113
	W±2	70
	H±2	130
Storage Status	Wet	
Weight (Approx)	2.15Kg	
Retention of Charge Storage @25 °C		
1 month	97%	Directly Mounted
3 month	90%	Directly Mounted
6 month	80%	Constant Volts:14.4V Limit Current:1.4A Charging Hours:2-3H
12 month	40%	Constant Volts:14.4V Limit Current:1.4A Charging Hours:4-6H
CCA	Factory Standard (-10°C)	Factory Standard (-18°C)
Discharging Current	50A	75A

Discharge Current 25°C



Residual Capacity



★The above are average and data obtained from the first 3 charge/discharge cycles. These are not minimum values.

★The different item No. of battery can be developed according to the customer's demand.